

目 录

Table of contents

1. 使用范围及结构特点	2
Use scope and unique feature	
2. 设备启动前的准备	3
The equipment starts before the preparation	
3. 设备调整	3
Equipment adjustment	
4. 机器故障原因及解决方法	5
Mechanical breakdown reason and solution	
5. 机体轴套部件	8
Organism axle sleeve part	
6. 上送料部件	10
On feeding part	
7. 主轴传动与行针部件	12
Main axle transmission and marking needle parts	
8. 下送料 弯针驱动、针距调解部件	14
The next feeding cancels the needle to drive to sew the distance to mediate the part	
9. 剪刀驱动部件	16
The scissors scissors actuate the part	
10. 机壳电机部件	18
Cabinet electrical machinery part	
11. 过线涨紧压簧部件	20
Commits a footfault risks spuezes the reed part	
12. 零件件号索引1	22
Components parts number index I	
零件件号索引2	23
Components parts number index II	

一、使用范围及结构特点

GK2006型系列产品，是手提式电动工业封包机，系我厂已获国家专利，具有升级换代双线改单线只需更换勾针无须调整任何部件是现代手提缝纫机大力士最新产品。

本机采用先进的上下综合送料机构和自动剪线机构，能缝合厚薄不同的各种布袋、纸袋、塑料纺织袋、纸塑复合袋，麻袋等包装袋。所缝的线迹具有弹性，线迹美观，封包牢固、拆包方便的特点，是当今最佳的封包设备。

针距长度	6-8毫米	
The needle is apart from the length		
最大缝料厚度	6毫米	
biggest seam material thickness		
缝线规格 21支	2 X 3	涤纶线
Sewing yheadspe-cifation		Polyester fiberline
机器净重 4kg		
Machin e net weight		
电机	10000/分	90W
Electricalmachinery		

一、Use scope and structure speaial artillery

The GK 2006 series product is the portable-type electricolly operated, industry sewing machine,was my factory has attained the country specially to blow.Has turns to a new generation the double thread to change the single track only tohave toreplace cancels the needle not to need to adjustany part

This machine uses advanced about to synthesize the feed mechanism box to move with automatic-ally reduces the line organization.Can suture the thickness different each kind of cloth sack the paper bag the plastic spinning and weaving bag the paper modles compound packing and so on bag gunnysack.Sews the line mark has elastic the line artistic seam pzckage relcable opens apackage of convenient characteristic is now a best seam package of equipment.

二、设备启动前的准备

- 1、润滑是保持机械设备处于良好状态必不可少的条件，应将润滑油倒入油壶（容量为45cc）。在启动设备之前应连续将润滑油装置加油按钮 10 次，即可使润滑油流向机械设备。应如满足足够的润滑油，以确保在正常操作条件下能够维持平均 4 小时的设备运转。不得在未加注润滑油的情况下运行设备，这样会导致设备故障或损坏。
- 2、缝针的调整，转动皮带轮使行针杠杆到最高位置时，松开针固定螺丝看是否与柄部的扁对正，调整后拧紧针固定螺丝。
- 3、穿线，缝口机在供货时已穿好线，以向你展示机器的正确穿线方式。如图2所示，以便于识别，应遵照图中的次序穿线。

三、设备调整

重要提示：

在进行设备调整或更换零件时，必须将电源插头从供电电源上拔下，这对于保证操作人员和调整维修工的人身安全是非常重要的。

- 1、穿线张紧度通过调整穿线张紧螺母即可调节穿线张紧度。顺时针方向转动张紧螺母，可夹紧穿线，逆时针方向转动张紧螺母，可使穿线放松。
- 2、缝针和打环机构位置打环机构在通过缝针背面凹形处两针相交时不得相碰，其间隙为 0.005-0.15mm。调节时拧开导架紧固螺丝，当直针下达最低点，距下轴中心约5 mm处时，直针针尖处到弯针针尖处约15.5mm，从直针中心到弯针尖处约4mm处为最佳工作状态。这时拧紧导架紧固螺丝。



图形1

3、护针板调节

为了避免机针下刺时发生弯曲，护针板可起到保护作用。两者的间隙为 0.08-0.13mm。调整时将小手轮往工作方向转动，使护针板靠近机针，松开机牙紧固螺丝，移动护针板至合理间隙后再拧紧机牙紧固螺丝。这样不会影响机牙，因为送料牙处有送料牙调整螺丝，所以不会影响送料牙的高度。

4、送料牙调节

根据缝料质量，厚度确定送料牙的高度，对封布袋、塑料编织袋等，一般高出针板上平面平均 1.2-1.8mm，调整时先拧开机牙固定螺丝，调节送料牙调节螺丝，调整后拧紧送布牙紧固螺丝。

5、针距长度调节

针距长短的调节，是通过针距调节螺丝来定，需调整时，先打开侧盖板，再松开针距调节螺母，然后调节针距调节螺丝，顺时针时针距小，逆时针时针距大，调整后，拧紧针距调节螺母。

6、压脚压力调节

压脚压力的大小，取决于送料的厚度，缝薄时需减少压力，反之，则增大压力。当缝料推送顺畅，针迹均匀时切勿再增大压力，以缓减机件的磨损。调节压力时可松开调压螺母，顺时针时压力大，逆时针时压力小，调整后，拧紧螺母即可。

二、The equipment starts before the equipment

- 1、The lubrication is maintains the mechanical device to beat the good conditiones sorial condition.Should pour into the oil pot the lubricating oil(capacity is 45cc).In front of starting outfit should continuously refuel the lubricating oil installment button 10.Then uses the lubricating oil to flow to the machinery to suppose yang.Should add completely the enough lubrication.Guarantees under the nomeel operation condition can the uygur impartial hour equipment transport the whoel.Must not not move in the replenishment lubriccting oil situation supposes yang.This can cause the equipment failure or the damage.
- 2、The stitching adjustment rotates the belt pulley to cause moving needle the release lever to the highest position time.The pine operates the needle anchor screw to look whether with handle department flatlyto.After the adjustment screws tight the needle anchor scren.
- 3、Threading sews the mouth machine when supplying goods has put on the line.By appoaehes you to demonstrate the machine the correct threading way.Like chart2 shows in order to the recognition should obey in the chart the order to thread

三、Equipment adjustment

Important prompt:

Is carrying on the equipment adjustment or the reptocement components.Must pull out the power source plug from the electric power supply.This and adju-sts maintenance worker's person safely regarding the guarantee operator is count for much.

- 1、Threads anxiety then to adjust threading through the adjustment threading clamps,nut clamps..Clockwise rotates clamps the nut may clamp puts on.The counter clockwise rotation clamps,nut may cause theading to put to .
- 2、The stitching and hits the link organization position to hit the link organization in the concave shape place two needles to imtersect through the stitching back time does not have to bwmp.Intewal its twist convince for 0.005-0.15mm by patient analys is shelf fasten serew act as.Is apart from time the lower , sheft center approximately 5mm place straight needle needle-tip place to be in dire staits to cancele the needle the needle-top 15.5mm.from stright needle center to curved needle-tip place line mm place for best workshape.
- 3、Protects the needle board to movefor under avoiding machine needle time line occur curvee boardthe allowed to got up the protection to do .

When adjust ment the small hand wheel toward the work directional rotation,causes to protect the needle board near ness machine needle,thepine s tarting tooth tight screw.The migration protects the needle board to sorene thight machine the tooth tight srew again after the reasonable gap.Likethis can not a ffect machine the tooth because the feeding tooth place has the feeding tooth a djusting screw therefore cannot affect the feeding tooth the altitude.

4、Feeding tooth adjustment

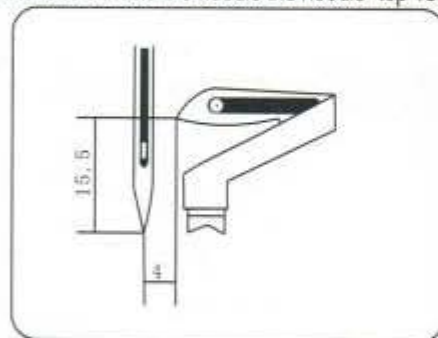
Aceording to seam material quality thinknese determination feeding tooth altitude.To seals the cloth sack the plastic knitting bag and so on.Aeneral remo ves the acupuncture needle high panel plane average 1.2-1.8mm.When adjustment twists the stareing tooth anchor screwfirst.Adjustment feeding tooth, adjusting screw.Ather the adjustment screws tight delivers the cloth tooth tight screw.

5、The needle is apart from the length adjustment.

The needle is apart from the length the adjustment is apart from the adjusting screw through the needle to decide.When must adjust turns on the side lap first then loosens the needle to be apart from the vegwating nut.Then adjusts the needle to be apart from the adjusting screw.The clock wisehand of a cl-ock is apart from slightly.The anticlockwise hand of a clock is apare from is a big way.After the adjustmend saews tight the needle to be apart from the regulating nut.

6、Presses the foot pressuve control.

Presses the foot pressuve the sive is decided infeeding thickness.Seam thin when must reduce the pressure other wise then inceases the pressure. When the scam cotton material push is smooth.Needle mark even when is sure not to increase the pressnre again lightens and reduces the part the attr-ition When adjustment pressure may loosen the accent to press the nut.The clockwise time pressure is small anti-clock wise time pressure high.After the adjustment twists off the nut the.



图形1

四、机器故障原因及解决方法

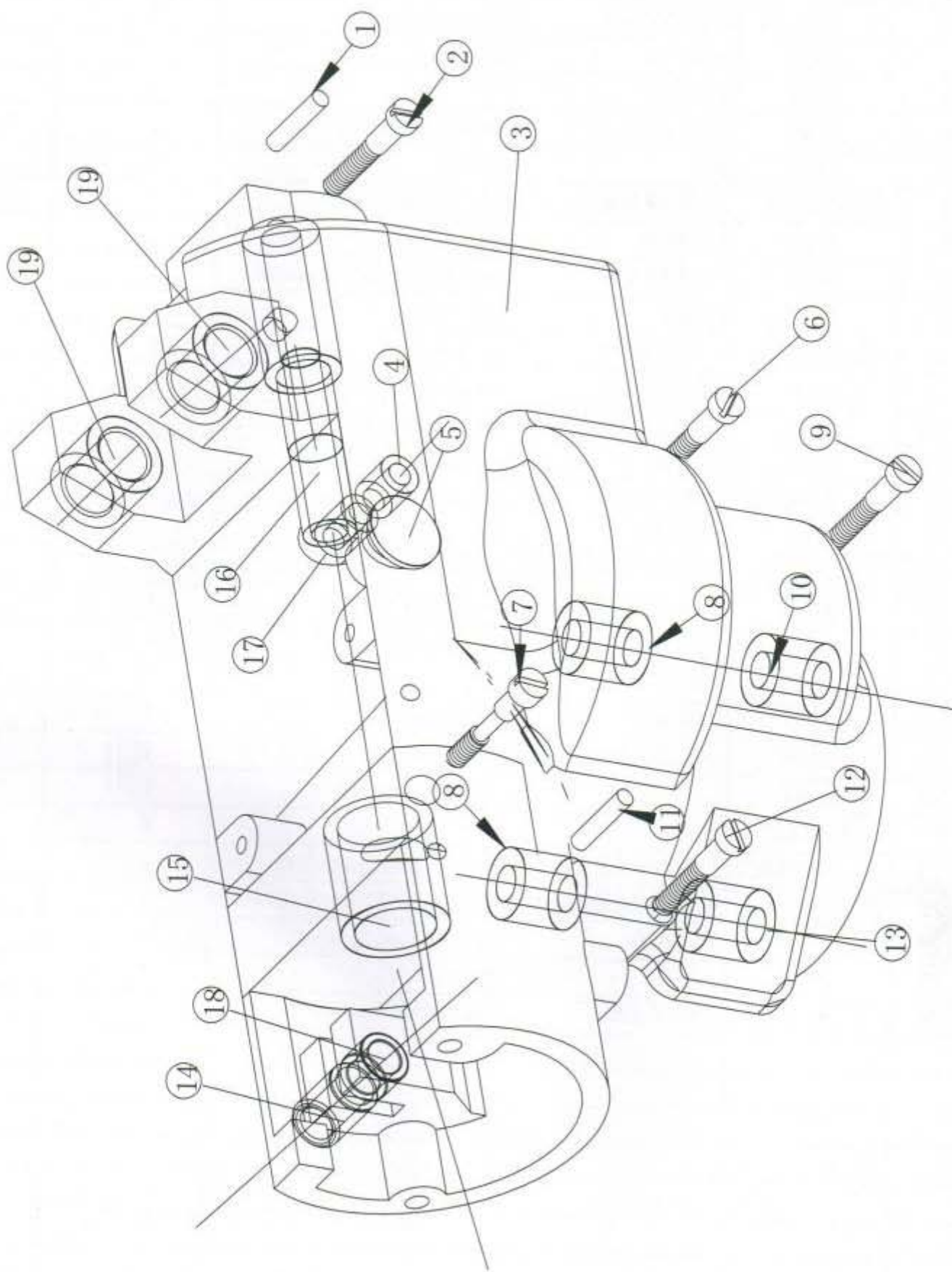
故障内容	原因	解决方法
断线	<ol style="list-style-type: none"> 1. 线路穿错 2. 线源轧住 3. 缝线张力太紧，出线量不足 4. 缝线粗细不匀，拉力强度不够 5. 机针孔、针板孔或弯针孔有毛刺 6. 机针与弯针运动位置配合不好 7. 机针与或弯针相碰 8. 送料牙齿尖太锐 9. 压脚压力过大 	正确穿线 检查排除 放松夹线板压力 选择质量合格的缝线 用细砂布光或调换 重新调整 重新调整间隙 磨钝齿尖 放松压脚压力
跳针	<ol style="list-style-type: none"> 1. 机针凹型面装反或装斜 2. 机针与弯针运动不协调 3. 机针太高使弯针钩不到线或机针弯曲 4. 弯针挑线位置过低，过早释放底线 5. 机针细，而缝线粗，配合不当 	调整机线方向 重新调整 调整机针高度或换新针 调高位置，延底线释放 调换机线或缝线
断机针	<ol style="list-style-type: none"> 1. 机针弯曲 2. 机针与护针板或弯针相碰 3. 输送机速度快于缝纫速度 4. 细针缝厚料 	换针 调整相互间隙 调整输送速度或缝纫速度 换粗针
机针线紧松不匀	<ol style="list-style-type: none"> 1. 机针线线量不足或过多 2. 机针线夹线板压力过大或过小 	调节线量调节杆高度 调整夹线板压力
送料呆滞	<ol style="list-style-type: none"> 1. 送料牙齿面过低或齿面磨损 2. 压脚压力过小 3. 送料齿轮紧定螺钉松动 	抬高齿面或调换送料牙 增加压脚压力 拧紧螺钉
上下层缝料不齐	<ol style="list-style-type: none"> 1. 压脚压力太小 2. 压脚底面不光滑，阻力过大 	调节调压螺套，增加压脚压力 抛光压脚底面
运动沉重	<ol style="list-style-type: none"> 1. 机器装配不良 2. 传动皮带过紧 3. 运动部位缺油 	检查装配间隙，进行调整 适当放松皮带 清除污物后注入润滑油
噪声大	<ol style="list-style-type: none"> 1. 传动零件磨损使间隙增大 2. 紧定螺钉松动使零件之间发生碰撞 3. 油路不畅缺油 	调换新零件 拧紧各部位螺钉 清除油路内尘埃，注入清洁润滑油

Mechanical breakdown reason and solution

Breakdown tent	Reason	Solution
Broken line	<ol style="list-style-type: none"> 1. The line puts on wrong 2. The line source too loose 3. The sewing thread tenacity too is tight the going beyond a line quantity is insufficient 4. The seam size of twine is not uniform the tensile strength is insufficient 5. machine pinhole needle board kong huo gou the pinhole has the hurr 6. machine the needle with cantels the needle traveling position coordination hotto be good 7. Machine the needle with cantels the needle to bump 8. The feeding tooth too is incisive 9. Presses the foot pressure oversized 	<ol style="list-style-type: none"> 1. correct threading 2. Inspection elimination 3. The relaxation presses the forming block pressure 4. Choice quality appropriate sewing thread 5. Exchanges with the crocus cloth polishing 6. Readjusting 7. Readjusts the gap 8. Rubs the obtuse crown 9. The relaxation presses the foot pressure
Bouncing pin	<ol style="list-style-type: none"> 1. Machine the needle concave shape surface attitude counter or installs slanting 2. Machine the needle with canels the needle gearing not to be uncoordinated 3. Machine needle too high causing hook needle does not hook the line or machine the needle is curving 4. The hook needle selects the line position to be lower than the premature disconnection to put the gap 5. But machine the needle thin the sewing thread coordinates thickly improve 	<ol style="list-style-type: none"> 1. Adjust tement equipment and lines direction 2. Readjusting 3. The adjuster needle highly or exchanges the needle 4. Adjust the high position extension agent release 5. Exchanges the equipment and lines or the sewing thread
breaks a loom thread the needle	<ol style="list-style-type: none"> 1. Machine the needle is curving 2. Machine the needle with protects the needle board the hook needle but 3. conveyor speed quickly in tailoring speed 4. pinhole seam thick material 	<ol style="list-style-type: none"> 1. Trades the needle 2. Adjustment mutual gap 3. Adjustment transfer rate or tailoring speed 4. Trades the basting
Machine the needle work loose and tight is not uniform	<ol style="list-style-type: none"> 1. Machine needle work line quantity insufficient or excessively many 2. Machine needle work clamp pressure oversized or excessively small 	<ol style="list-style-type: none"> 1. Adjusts the pitch line quantity standard lever altitude 2. Adjustment clamp pressure
Feeding delay	<ol style="list-style-type: none"> 1. Feeding tooth surface low or tooth face attrition 2. Presses the foot pressure excessively to be small 3. The feeding gear clamping screw hilt becomes less crowded 	<ol style="list-style-type: none"> 1. Raises the tooth face or exchanges the feeding tooth 2. Increases the compression foot pressure 3. Screws tight the bolt
On the lower level seam material is uneven	<ol style="list-style-type: none"> 1. Presses the foot pressure too to be small 2. Not only presses the sole surface oversized the slip resistance 	<ol style="list-style-type: none"> 1. The adjustment accent presses the nut to increase the compression foot pressure 2. Throws the light pressure sole surface
The movement is heavy	<ol style="list-style-type: none"> 1. The machine equipment is not good 2. The transmission belt excessively is tight 3. The movement spot is out of gas 	<ol style="list-style-type: none"> 1. The inspection assembly gap carries on the adjustment 2. Relaxes the leather belt suitably 3. After the elimination contamination particles into the lubricating oil
The noise is big	<ol style="list-style-type: none"> 1. The transmission components attrition causes the gap increase 2. The clanging screw nail causes between the components to have the collision loosely 3. The oil duct is out of gas impeded 	<p>Exchanges the new components screws tight various spots bolt</p> <p>In the elimination oil duct the dust pours in to the clean lubricating oil</p>

机体轴套部件

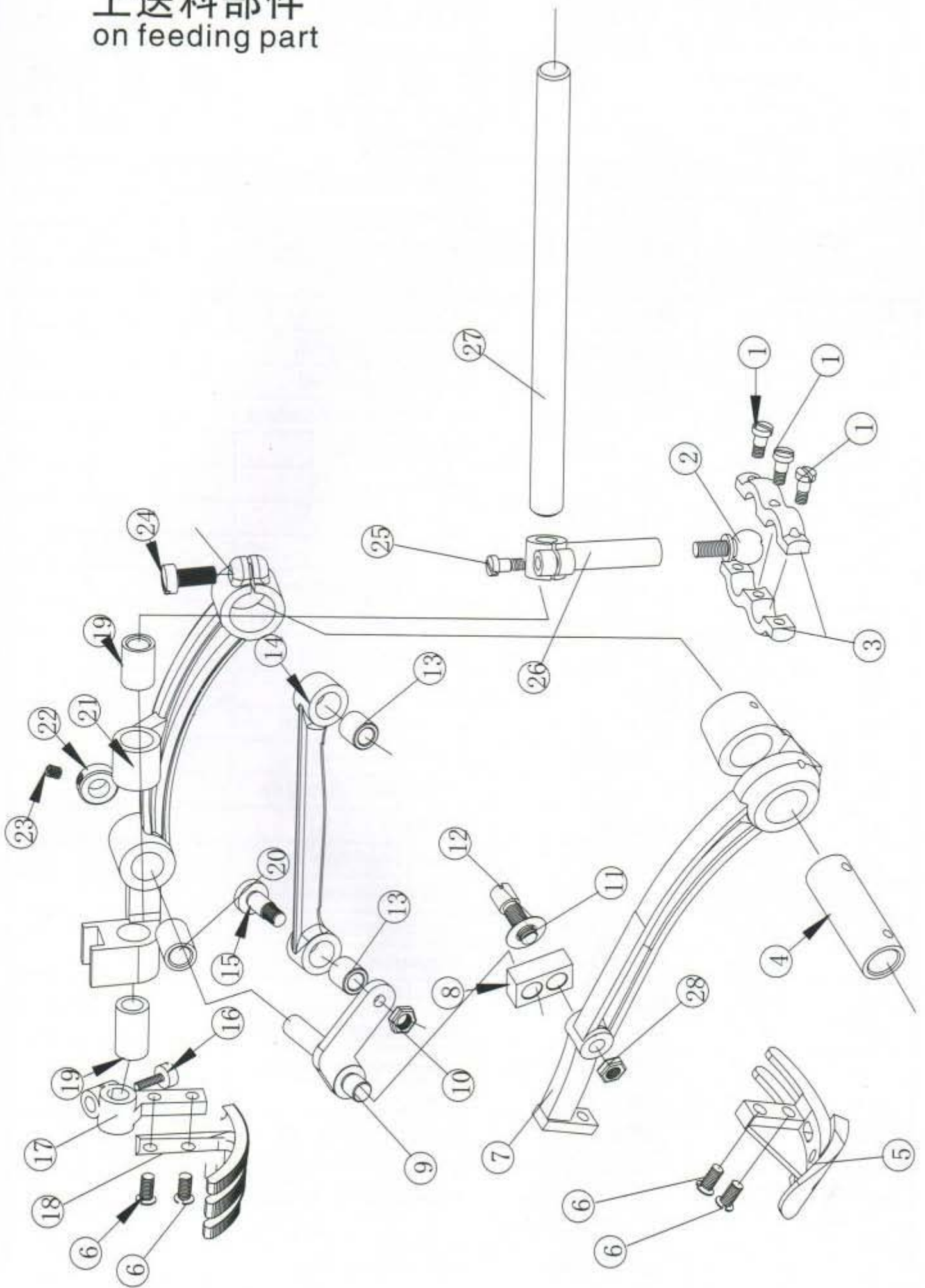
Organism axle sleeve part



上送料部件 on feeding part

序号 Serial number	零部件件号 Sparepartparts number	零 部 件 名 称		数 量	备注
1	$\frac{1}{8}$ S44004	球接头连杆螺丝	Ball end connecting rodscrew	3	
2	2133	弹子球接头	Billard ball ball end	1	
3	2134	球接头连杆	Ball end	1	
4	2135	压脚大连杆套	presses the foot Dalian stem casing	1	
5	2120	压脚	presses the foot	1	
6	$\frac{9}{64}$ C40501	上送布牙紧固螺丝	on delivers the cloth tooth tight screw	4	
7	2137	压脚提升臂	presses the foot lift arm	1	
8	2138	压脚提升小连杆	presses the foot to promote the small connecting rod	1	
9	2167A	三角连杆	Triangle connecting rod	1	
10	$1\frac{1}{64}$ N40102	大连杆销轴螺母	Dalian pole pin spindle nut	1	
11	2196	压脚小连杆螺肖	presses the foot small connecting rod spiral to sell	1	
12	2139	压脚提升小连杆平垫	Presses the to promote the small connecting rod plain cushion	1	
13	2140	大连杆固定套	Big connecting rod fixed wrap	2	
14	2146	压脚提升大连杆	presses the foot to promote the big connecting rod	1	
15	2197	大连杆螺肖	The big connecting rod spiral to sell	1	
16	$1\frac{1}{64}$ V40404	上送布牙小连杆收紧螺丝	on the feeding tooth small connecting rod tightens the screw	1	
17	2141	上送布牙小连杆	on feeding tooth small connecting rod	1	
18	2142	上送布牙	On deliver the cloth tooth	1	
19	2143	牙架座衬套、前、后	Tooth rest base bushing before and after	2	
20	2111	牙架座衬中	In tooth rest base lining	1	
21	2176	上送料牙架座	on feeding tooth rest base	1	
22	2147	三角连杆紧固	The triangle connecting rod is tight	1	
23	$\frac{1}{8}$ P44203	紧圈顶丝	collar set screw	1	
24	$\frac{3}{16}$ V40405	上送料牙架座收紧螺丝	on the feeding tooth nest base tightens the screw	1	
25	$\frac{9}{64}$ V40406	开针小连杆收紧螺丝	operates the needle small connecting rod to tightenthe screw	1	
26	2148	开针小连杆	Operates the needle small connecting rod	1	
27	2149	上轴	Top roll	1	
28	$\frac{3}{16}$ N40103	压脚销轴螺母	presses the foot to sell the spindle nut		

上送料部件 on feeding part



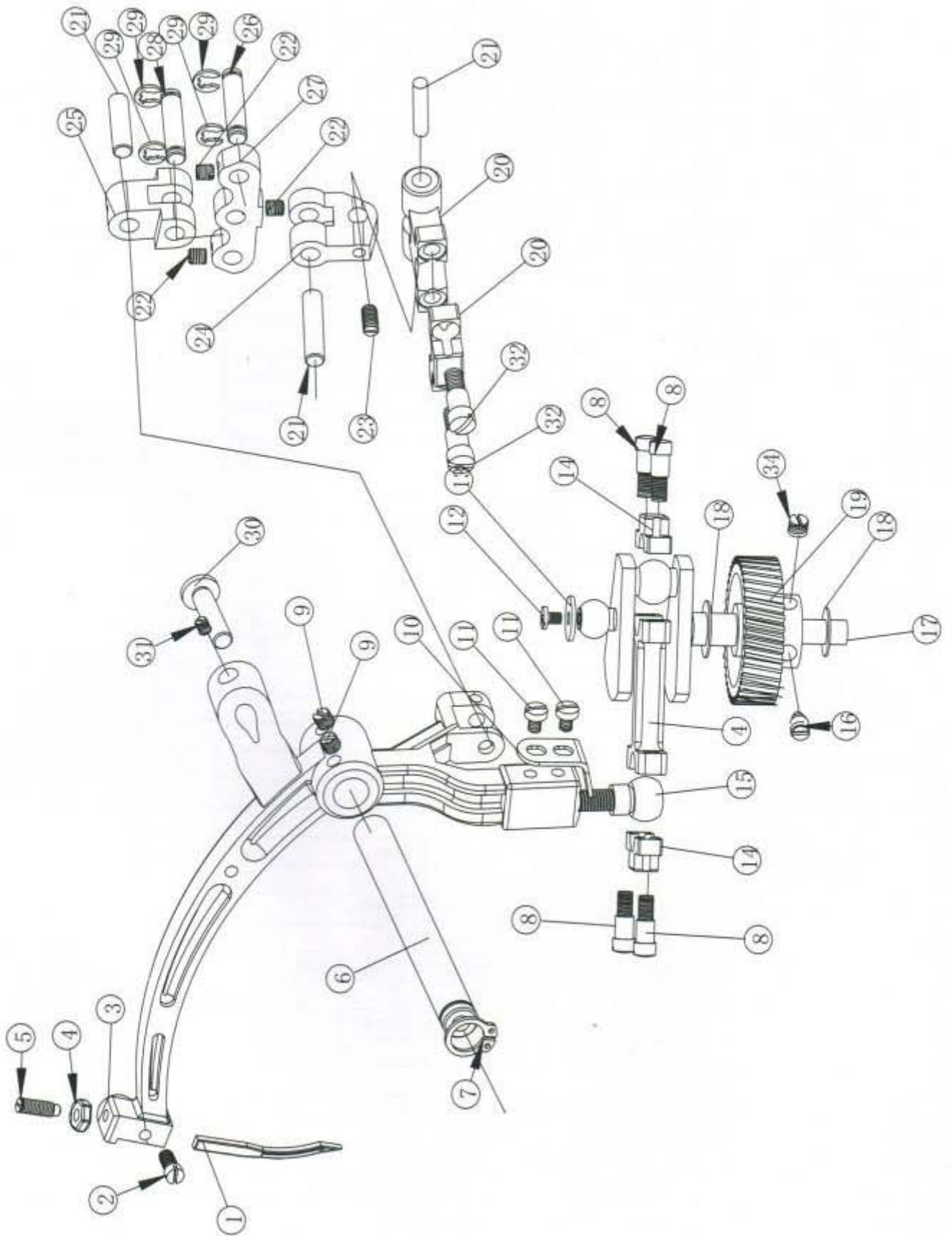
主轴传动与行针部件

Mainaxletransmissionandmarkingneedleparts

序号 Serial number	零部件件号 Sparepartparts number	零 部 件 名 称 S p a r e p a r t n a m e		数 量 Q u a n t i t y	备注 Note
1	2114	机针	Machine needle	1	
2	$\frac{9}{64}$ V40401	机针固定螺丝	Machine needle anchor screw	1	
3	2115	行针杠杆	Marking needle release lever	1	
4	$\frac{9}{64}$ N40101	机针限位锁紧螺母	Machine needle spacing locking nut	1	
5	$\frac{9}{64}$ P40201	针限位螺丝	Needle spacing screw	1	
6	2116	摇杆轴	Rocker fulcrum	1	
7	K200601	摇杆轴长簧	Rocker fulcrum long reed	1	
8	$1\frac{1}{64}$ S40003	大连杆螺丝	Big connecting rod screw	4	
9	$1\frac{1}{64}$ P40202	行针杠杆顶丝	marking needle rlease lever setscrew	2	
10	2145	弹子球卡板	Pinball contour plate	1	
11	$\frac{1}{8}$ V44402	卡板螺丝	Contour plate screw	2	
12	$\frac{1}{8}$ V44403A	曲轴保险螺丝	Crank check screw	1	
13	2117	保险平垫	Safe plain cushion	1	
14	2118	行针杠杆大连杆	Marking needie release lever big	1	
15	2195	行针杠杆球接头	Connecting rod	1	
16	$\frac{3}{16}$ Z40301	小连杆定位螺丝	Small connecting rod set screw	1	
17	2122	曲轴	Crank	1	
18	2119A	抬牙平垫	Lifts the tooth plain cushion	2	
19	2165	抬牙齿轮	Lifts the toothed wheel	1	
20	2103	导架连杆	Loses face the connecting rod	1	
21	2121	联接销	Coupling pin	3	
22	$\frac{1}{8}$ P44203	联结销顶丝	Coupling pin set screw	4	
23	$\frac{1}{8}$ P44204	搭接片顶丝	Builds the contact tag set screw	1	
24	2123	导架连杆搭接片	the gwide connecting rod builds the contact cttag	1	
25	2125	行针连杆接头	Marking needle connecting rod atas hment	1	
26	2126	销轴	Sells the axis	1	
27	2128	三孔连杆	Three connecting rods	1	
28	2129	三孔连杆中心轴	three connecting rod central shafts	1	
29	K200602	卡簧	Circlip	4	
30	2130	大连杆连接销	big connecting rod joint pin	1	
31	$1\frac{1}{64}$ P40202	行针杠杆顶丝	Marking needle release lever set scscrew	1	
32	$\frac{1}{8}$ S44004	球接头连杆螺丝	ball end connecting rod screw	2	
33	2132	行针连杆接头销	The macking needle connecting rod attach ment sells	1	
34	$\frac{3}{16}$ P40205	弯针顶紧螺丝	Hook thimdle tight screw		

主轴传动与行针部件

Main axle transmission and marking needle parts



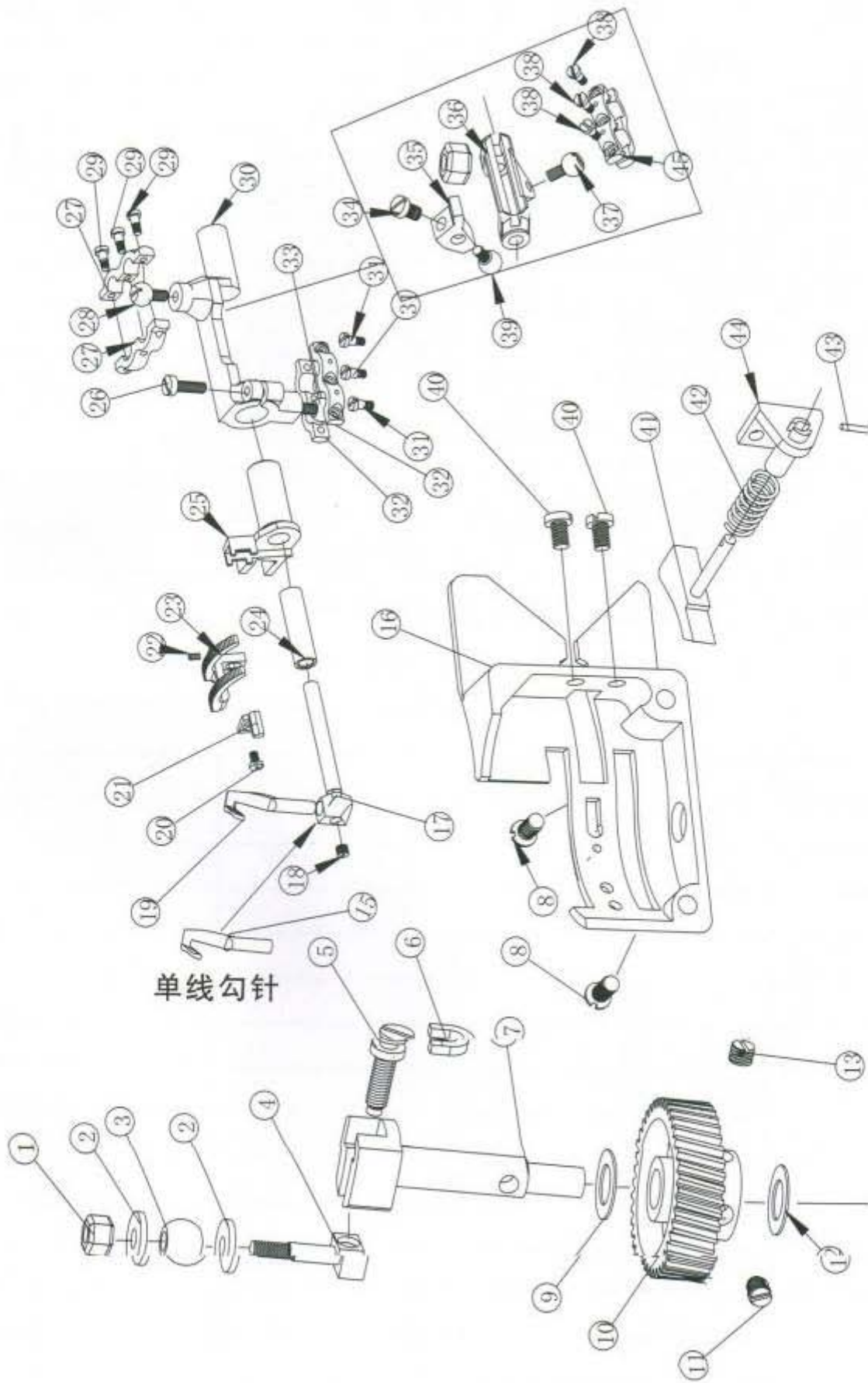
下送料、弯针驱动、针距调解部件

The next feeding cancel the needle to drive to sew the distance to mediate the part

序号 Serial number	零部件号 Spare part number	零部件名称		数量	备注
1	$\frac{9}{64}$ N40104	针距调解螺母	The needle is apart from the regulaing nut	1	
2	2150	针距调解轴平垫	The needle is apart from the regulaing shaft plain cushion	2	
3	2151	针距调节连接球	The needle is apart from the adjstment company to catch a ball	1	
4	2152	针距调解滑块	The needle to apart the adjustment slide	1	
5	$1\frac{1}{64}$ V40407	针距调节螺丝	The needle is apart from the adjusting screw	1	
6	2153	针距调节挡块	The needle is apart from the adjustment to keep off the black	1	
7	2131	针距调解座	The needle is apart from the adjustment place	1	
8	$\frac{9}{64}$ C40502	针板螺丝	Needle board screw	2	
9	2119A	送料齿轮平垫	feeding gear plain cushion	1	
10	2165A	送料齿轮	feeding gear	1	
11	$\frac{3}{16}$ Z40301	小连杆定位螺丝	small connecting rod set screw	1	
12	2119B	送料齿轮平垫	feeding gear plain cushion	1	
13	$\frac{3}{16}$ P40205	弯针顶紧螺丝	hook thimble tight screw	1	
	$\frac{1}{8}$ V44403B	单线舌头固定螺丝	single track tongue anchor screw	2	
15	2154	单线勾针	single track hookneedle	1	
16	124	针板	Needle board	1	
17	2144	下轴	Lower shaft	1	
18	$\frac{3}{16}$ P40205	勾针顶紧螺丝	hook thimble tight screw	1	
19	2108	勾针	hook needle	1	
20	$\frac{9}{64}$ V40413	送料舌头紧固螺丝	feeding tongue tight screw	1	
21	2155	护针板	protects the needle board	1	
22	$\frac{3}{32}$ P56206	送布牙调解螺丝	Delivers the cloth tooth adjusting screw	1	
23	2105	送布牙	Delivers the cloth tooth	1	
24	2156	牙架座固定套	Tooth rest base fixed wrap	1	
25	2136A	牙架座	Tooth rest base	1	
26	$1\frac{1}{64}$ V40408	开针架收紧螺丝	opens the puneh block to tighten the screw	1	
27	2134	球接头连杆	Ball end connecting rod	1	
28	2197	开针挡球螺丝	operates the needle tripping ball screw	1	
29	$\frac{1}{8}$ S44004	球接头连杆螺丝	Ball end connecting rod screw	3	
30	2158	开针架	opens the punch block	1	
31	$\frac{1}{8}$ S44004	球接头连杆螺丝	Ball end connecting rod screw	3	
32	2134	球接头连杆	Ball end connecting rod	1	
33	2197	开针挡球螺丝	operates the needle tripping ball screw	1	
34	$\frac{7}{32}$ V32409	导架紧固螺丝	Guide bracket tight screw	1	
35	2159	开针挡导架	operates the needle to keep off the guide bracket	1	
36	2160	开针挡	operates the needle to keep off	1	
37	2197	开针挡球螺丝	operates the needle triping ball screw	1	
38	$\frac{1}{8}$ S44004	球接头连杆螺丝	Ball end connecting rod screw	3	
39	2198	导架球头	Guide bracket ball head	1	
40	$\frac{1}{8}$ V44410	针板舌头座固定螺丝	Needle board tongue place anchor screw	2	
41	2127	针板舌头	Needle board tongue	1	
42	2200	针板舌头弹簧	Needle board tongue spring	1	
43	2201	针板舌头定向肖	The needle board tongue direction detection sells	1	
44	2127B	针板舌头固定座	Needle board tongue fixed stand	1	
	2134	球接头连杆	Ball end connecting rod	1	
	$1\frac{1}{64}$ N40102	大连杆销轴螺母	Dalian pole pin spindle nut	1	

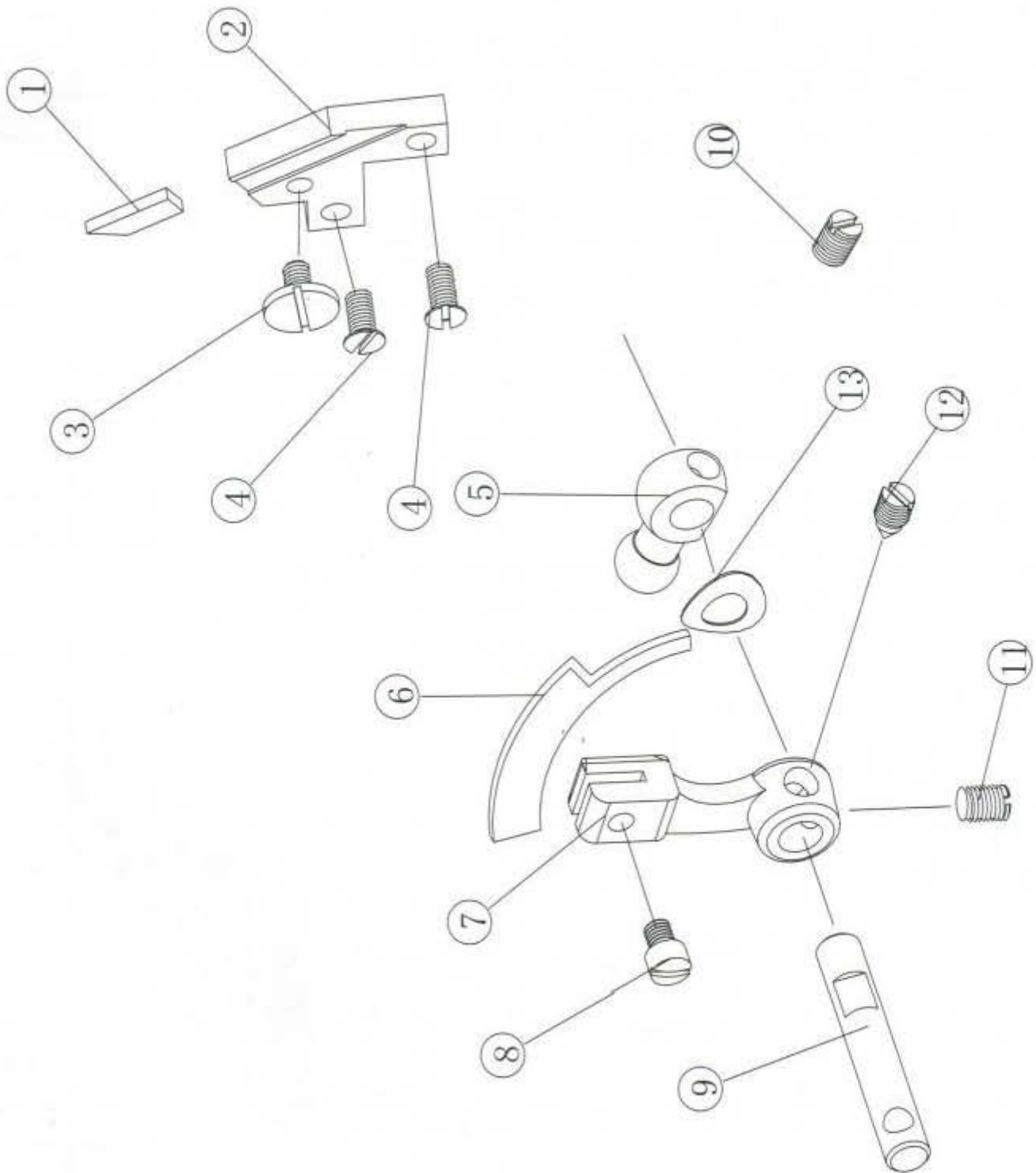
下送料、弯针驱动、针距调解部件

The next feeding cancel the needle to drive to sew the distance to mediate the part



剪刀驱动部件

The scissors actuate the part



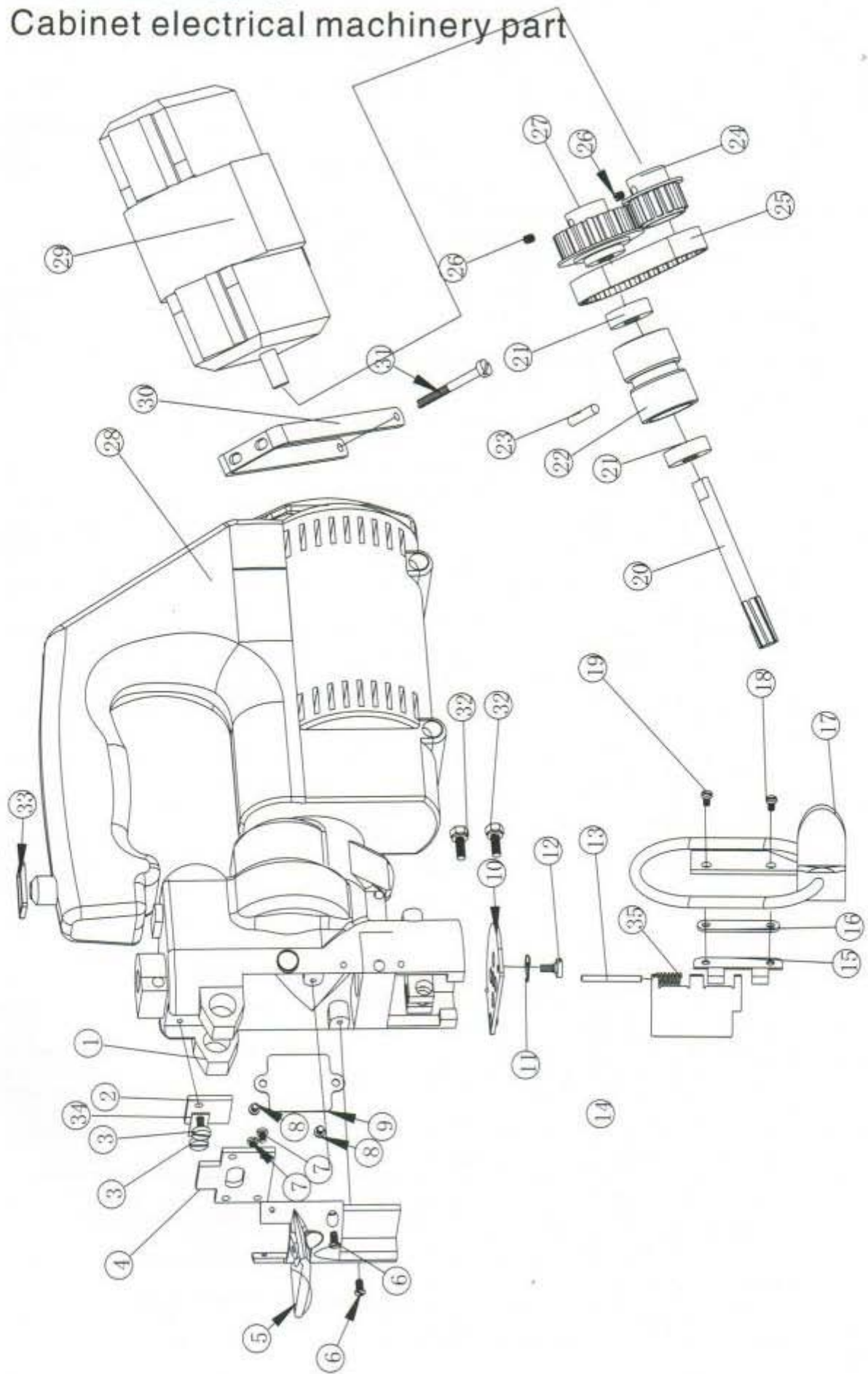
机壳电机部件

Cabinet electrical machinery part

序号 Serial number	零部件件号 Sparepart number	零 部 件 名 称		数 量	备注
1		机壳	Cabinet	1	
2	2167	后防尘胶皮	Latter dustproof rubber	1	
3	$\frac{9}{64}$ V40414	侧盖板螺丝	Side lap screw	2	
4	2168	前防尘胶皮	frist dustproof rubber	1	
5	2169	防尘盖	Dus cap	1	
6	$\frac{9}{64}$ C40502	针板螺丝	Needle board screw	2	
7	$\frac{1}{8}$ V44410	针板舌头座固定螺丝	Needleboard tongue place onchor screw	2	
8	$\frac{9}{64}$ V40414	侧盖板螺丝	side lap screw	2	
9	2182	侧盖板	side lap	1	
10	2183	前盖板	frist lap	1	
11	2199	前盖板弹簧垫	frist lap spring pad	1	
12	$\frac{9}{64}$ S40005	前盖板螺丝	frist lap screw	1	
13	2170	前防尘盖肖轴	frist dustpoot cancels the axis	1	
14	2157B	前防尘盖	frist dust cap	1	
15	2157A	前防尘盖底板	The frist dust capis negative	1	
16	2103AC	送料舌头垫板	feeding tonguebacking strip	1	
17	2171	送料舌头	feeding tongue	1	
18	$\frac{9}{64}$ V40413	送料舌头紧固螺丝	feeding tongue tight screw	1	
19	1				
20	2172	转动轴	Rotatingaxis	1	
21		轴承	Bearing	2	
22	2173	转动轴套	Rotates the axle sleeve	1	
23	2202	转动轴套开口销 $\phi 4.2 \times 6$	Rotation axle sleeve cotter pin	1	
24	2174	主动轮	Driving pulley	1	
25		传动带	Transmission belt	1	
26	$\frac{1}{64}$ P40202	行针杠杆顶丝	marking needle release lever set screw	2	
27	2175	传动轮	Driver	1	
28		电机外壳	Electrical mac hineryouter covevtng	1套	
29		电机	Electrical machinery	1	
30	2106	吊环	Suspension loop	1	
31	$\frac{9}{64}$ S40006	吊环固定螺丝	suspension loop ancher screw	1	
32	$\frac{1}{64}$ N40601	电机固定螺丝	Electical machinery anchor screw	2	
33	2177	开关防尘垫	switch dust proof pad	1	
34	2178	防尘压板	Dustproof clamp	1	
35	2157C	防尘盖弹簧	Dust cap spring	1	

机壳电机部件

Cabinet electrical machinery part



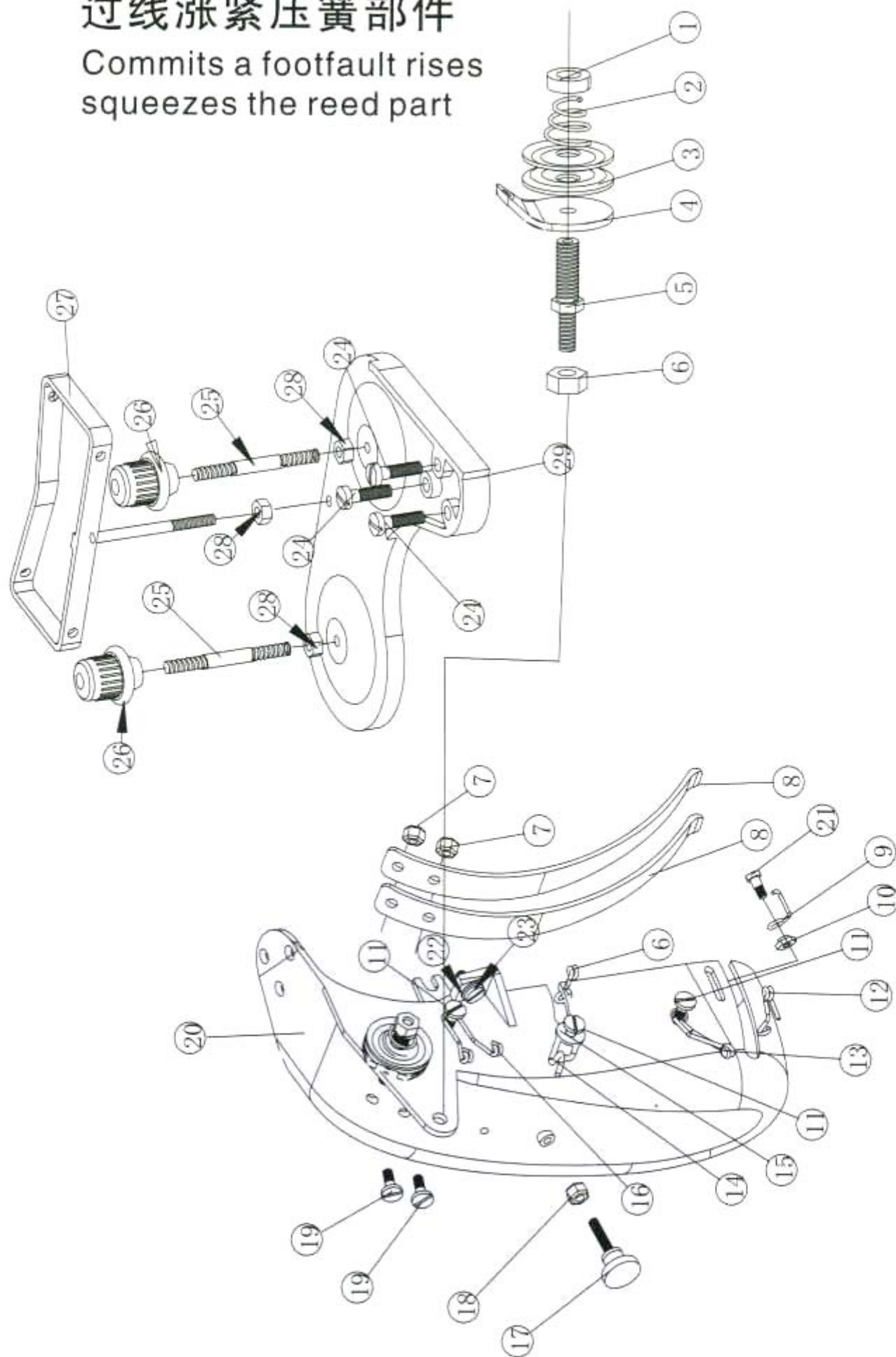
过线涨紧压簧部件

Commits a footfault rises squeezes the reed part

序号 Serial number	零部件件号 Sparepartparts number	零 部 件 名 称		数 量	备注
1	1/4 N40105	夹线螺母	Clamps the linenut	2	
2	2179	夹线簧	Clamps the ilne reed	2	
3	2180	夹线盘	Clamps the coil	4	
4	2181	过线板	Crosses the forming block	2	
5	2124	夹线螺丝	clamps the line screw	2	
6	3/16 N28106	锁紧螺母	Locks the nut	2	
7	9/64 N40404	针距调解螺母	The needle is apart fromthe regulating nut	2	
8	2183	压簧	presses the reed	2	
9	2184	前线勾	The front cancels	1	
10	1/8 N44107	前线勾螺母	The from cancels the nut	1	
11	9/64 V40414	侧盖板螺丝	side lap screw	3	
12	2185	线挂	The line hangs	1	
13	2186	线勾	The line cancels	1	
14	2187	上线勾	The political line cancels	1	
15	2188	线勾压紧垫	The line cancele presses only fronts	2	
16	2189	下线勾	The winding cancels	1	
17	9/64 L40701	调压螺丝	The accent pressesthe screw	1	
18	9/64 N40404	针距调解螺母	The needle is apart from the legu lating nut	1	
19	9/64 S40007	压簧螺丝	presses the reed screw	2	
20	2190	上盖	Top head	1	
21	1/8 V44402	卡板螺丝	Contour pate screw		
22	2191	上盖螺丝平垫	Top head screw plain cushion	1	
23	9/64 V40415	上盖螺丝	Top head screw	1	
24	3/16 S40008	线托架固定螺丝	line bracket anchor screw	3	
25	2192	线杆	Line pole	2	
26	N40109	线杆螺母	Line pole nut	2	
27	2193	线支架	Line support	1	
28	N40107	线支架螺母	Line support nut	3	
29	2189H	线托架	Line bracket	1	
30	2194	线挂	The line hangs	1	

过线涨紧压簧部件

Commits a footfault rises
squeezes the reed part



零件件号索引

Components parts number index

零件号	页次	零件号	页次	零件号	页次	零件号	页次
2100	9-4	2131	15-7	2163	17-6	2197A	15-28
	9-17	2132	13-33	2164	17-7		15-33
2101	9-5	2133	11-2	2165	13-19		15-37
2102	9-8	2134	11-3		15-10	2198	15-39
2103	13-20		15-27	2166	17-9	2199	19-11
2104	9-10		15-32	2167	11-9	2200	15-42
	9-13	2135	11-4	2168	19-4	2201	15-43
2105	15-23	2136	15-25	2169	19-5	2202	19-23
2106	19-30	2137	11-7	2170	19-13	2203	17-13
2107	9-14	2138	11-8	2171	19-17	124	15-16
2108	15-19	2139	11-12	2172	19-20	30015	9-1
2109	9-15	2140	11-13	2173	19-22		9-11
2110	9-16	2141	11-17	2174	19-24	$\frac{9}{64}$ S4001	9-2
2111	11-20	2142	11-18	2175	19-27		9-6
2112	9-18	2143	11-19	2176	11-21		9-9
2113	9-19	2144	15-17	2177	19-33		9-12
2114	13-1	2145	13-10	2178	19-34	$\frac{9}{64}$ S4002	9-7
2115	13-3	2146	11-14	2179	21-2	$\frac{1}{16}$ S4003	13-8
2116	13-6	2147	11-22	2180	21-3	$\frac{1}{8}$ S44004	11-1
2117	13-13	2148	11-26	2181	21-4		15-29
2118	13-14	2149	11-27	2182	19-9		15-31
2119A	13-18	2150	15-2	2183	21-8		15-38
	15-9	2151	15-3	2184	21-9	$\frac{9}{64}$ S40005	19-12
2119B	15-12	2152	15-4	2185	21-12	$\frac{9}{64}$ S4006	19-31
2120	11-5	2153	15-6	2816	21-13	$\frac{9}{64}$ S4007	21-19
2121	13-21	2154	15-15	2187	21-14	$\frac{3}{16}$ S4008	21-24
2122	13-17	2155	15-21	2188	21-15	$\frac{9}{64}$ N40101	13-4
2123	13-24	2156	15-24	2189	21-16	$\frac{1}{16}$ N40102	11-10
2124	21-5	2157A	19-15	2190	21-20		15-46
2125	13-25	2157B	19-14	2191	21-22	$\frac{3}{16}$ N40103	11-28
2126	13-26	2157C	19-35	2192	21-25	$\frac{9}{64}$ N40104	21-18
2127	15-41	2158	15-30	2193	21-27		15-1
2127B	15-44	2159	15-35	2194	21-30		21-7
2128	13-27	2160	15-36	2195	13-15	$\frac{1}{16}$ N40601	19-32
2129	13-28	2161	17-1	2196	11-11	N40105	21-1
2130	13-30	2162	17-5	2197	11-15	$\frac{3}{16}$ N28106	21-6
						$\frac{1}{8}$ N44107	21-10

零件件号索引

Components parts number index

零件号	页次	零件号	页次	零件号	页次	零件号	页次
$\frac{9}{64}$ P40201	13-5	$\frac{9}{64}$ V40414	19-3				
$\frac{11}{64}$ P40202	13-9		19-8				
	13-31		21-11				
	19-26	$\frac{9}{64}$ V40415	21-23				
$\frac{1}{8}$ P44203	13-22	$\frac{9}{64}$ C40501	11-6				
	11-23	$\frac{9}{64}$ C40502	15-8				
$\frac{1}{8}$ P44204	13-23		17-4				
$\frac{3}{16}$ P40205	15-13		19-6				
	15-18	K200601	13-7				
$\frac{3}{32}$ P56206	15-22	K200602	13-29				
$\frac{3}{16}$ P40207	17-10						
	17-11						
$\frac{3}{63}$ Z40301	13-16						
	15-11						
	17-12						
$\frac{9}{64}$ V40401	13-2						
$\frac{1}{8}$ V44402	13-11						
	21-21						
$\frac{1}{8}$ V44403	13-12						
	15-14						
$\frac{1}{8}$ V44403A	13-12						
$\frac{1}{8}$ V44403B	15-14						
$\frac{11}{64}$ V40404	11-16						
$\frac{3}{16}$ V40405	11-24						
$\frac{9}{64}$ V40406	11-25						
$\frac{11}{64}$ V40407	15-5						
$\frac{11}{64}$ V40408	15-26						
$\frac{7}{32}$ V32409	15-34						
$\frac{1}{8}$ V44410	15-40						
	19-7						
$\frac{9}{64}$ V40411	17-3						
$\frac{9}{64}$ V40412	17-8						
$\frac{9}{64}$ V40413	15-20						
	19-18						
	19-19						